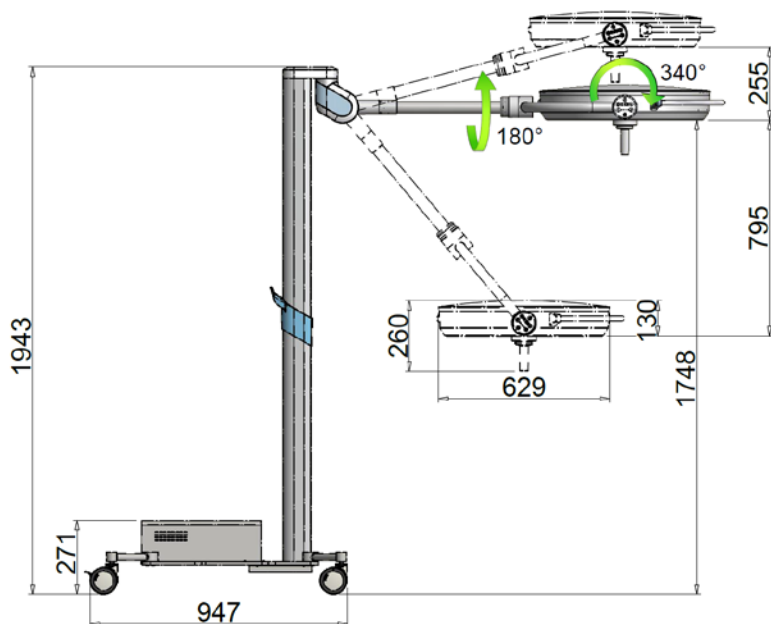




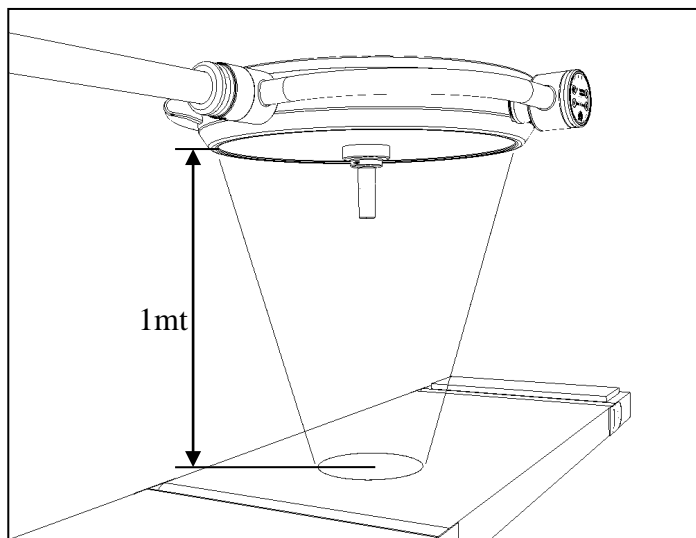
**ORION 60**  
**Ref LC10ILRB**

**TECHNICAL DATA**



<b>Performances at 1mt distance</b>	
<b>ORION 60</b>	
Light intensity at 1m (Ec)	160klx
Color temperature (K)	4500/5000
Color rendering index (CRI)	96
R9	90
Luminous source	n°81Led x1,4W
Focusing	Fix
Depth of light field	53 cm
Diameter of light field d <sub>10</sub>	19 cm
Radiated energy (Ee)	392 W/m <sup>2</sup>
<b>Electrical data</b>	
Primary voltage (Vac)	110/230 V
Secondary voltage (Vdc)	24 V
Frequency	50/60 Hz
Power absorption	120 VA

**WORKING DISTANCE**



To obtain the optimization of the light intensity, it is recommended to use the product at the distance of 1m.

However, the product ensures a good light intensity even when used at a distance range between 80cm and 140cm